

Marcopia Round 8 - #3021



72W



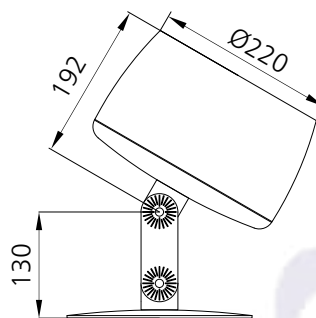
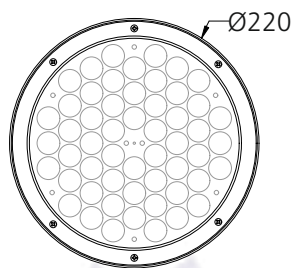
2810lm



Blue

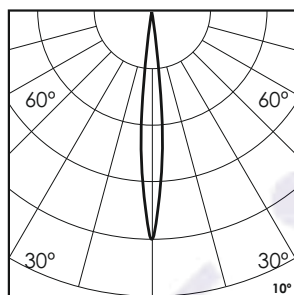


10°



Photometric Data

Light source	LED - High Power	Beam angle	10°
Power (W)	72W	Light output ratio	68%
Delivered lumens	2810lm	LED life	L90 B10 Tj75°C
Source lumens	4104lm	UGR	<19
Colour temperature (K)	Blue	Operating temperature	-20°C to +50°C
Luminaire efficacy	39.03lm/W	Light distribution	Direct - Symmetric



Technical Data

Mounting detail	Surface Uplighter	Heatsink material	Diecast alm.
Fixing detail	Cowl / Tree Strap / Pole Bracket / Mounting Plate	Product weight	4098gms
Orientation	Adjustable	Safety class	III
IP rating	IP65	Insulation class	III
IK rating	IK05	Voltage	DC24V
Glow wire test	850°	Driver	Remote - DC24V

Finish Options

Body Finish

- Matt Grey
- Custom RAL Color

Filter Options



Honeycomb Filter

Above filters can be added to the fixture and need to be ordered as a separate accessory

Accessories Options



Cowl



Tree Strap



Pole Bracket

Above accessories can be added to the fixture and need to be ordered as a separate accessory

Dimming Options



In-built DMX Decoder

The DMX Decoder requires a 24V CV Driver