

Marcopia Round 8 - #3021



90W



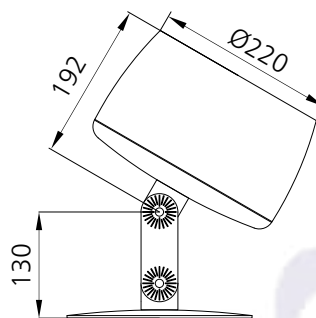
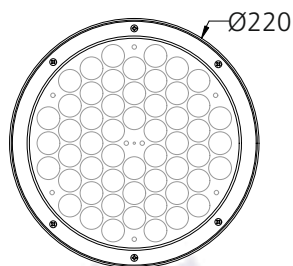
4347lm



Red

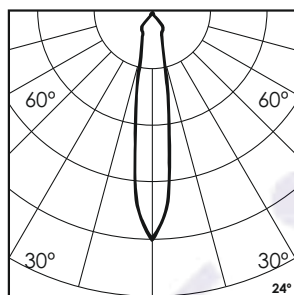


24°



Photometric Data

Light source	LED - High Power	Beam angle	24°
Power (W)	90W	Light output ratio	71%
Delivered lumens	4347lm	LED life	L90 B10 Tj75°C
Source lumens	6120lm	UGR	<19
Colour temperature (K)	Red	Operating temperature	-20°C to +50°C
Luminaire efficacy	48.31lm/W	Light distribution	Direct - Symmetric



Technical Data

Mounting detail	Surface Uplighter	Heatsink material	Diecast alm.
Fixing detail	Cowl / Tree Strap / Pole Bracket / Mounting Plate	Product weight	4098gms
Orientation	Adjustable	Safety class	III
IP rating	IP65	Insulation class	III
IK rating	IK05	Voltage	DC24V
Glow wire test	850°	Driver	Remote - DC24V

Finish Options

Body Finish

- Matt Grey
- Custom RAL Color

Filter Options



Honeycomb Filter

Above filters can be added to the fixture and need to be ordered as a separate accessory

Accessories Options



Cowl



Tree Strap



Pole Bracket

Above accessories can be added to the fixture and need to be ordered as a separate accessory

Dimming Options



In-built DMX Decoder

The DMX Decoder requires a 24V CV Driver

L'azure constantly strives to improve our products using the latest technological advancements in the industry.
Due to which the data mentioned in the data sheet is subject to change without prior notice.